

LFXPRO SERIES Outdoor Lighting

LFXPRO-XL-150-300W-MCTP



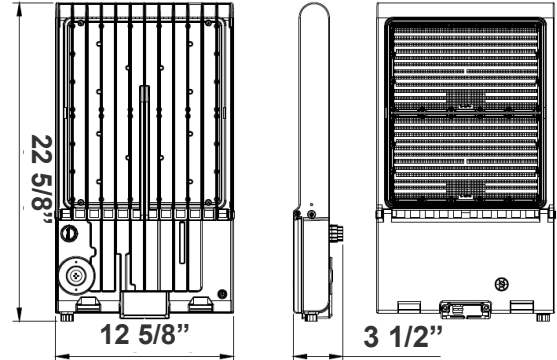
Ideal for general site lighting, alleys, loading docks, doorway, pathway, and parking areas.

Customer Name: _____

Project Name: _____

Note: _____

Type: _____



22 5/8"(L) x 12 5/8"(W) x 3 1/2"(H)

Features

- LED Flood Light
- With snap-on & bolt mounting options for one-person Installations.
- Select a mounting option (Sold separately)
- 70,000 Hours Rated Life
- 7-Year Warranty
- Optic Lens Type: III
- Multi-CCT & Multi-Power - The Switches are on the Bottom of the Fixture

Technical Specifications

Electrical:

- Voltage: 100-277V AC 50/60Hz
- Wattage: 150W/ 200W/ 240W/ 300W
- Power Factor: >0.9
- Output Current: 0.25A
- Efficacy: 125 LPW
- THD: <20%

Mechanical:

- Housing: Die-cast Aluminum Housing with Powder Coat Finish (Dark Bronze)
- 6KV Lightning Surge Protection
- IP Rating: IP65
- 10KV Lightning Surge Protection
- Operating Temperature: -40°F to 104°F
- Suitable for Wet Locations
- Effective projected areas (EPA's) are:
Front = 0.38 square feet
Side = 0.30 square feet
Face = 1.05 square feet

Lighting:

- Dimmable: 0~10V
- Solid State Lighting technology for long life, no Maintenance needed and High-Efficiency
- Lens Type: Optical TYPE III Lens, High Light TransmittancePC, Anti-UV and Flame Resistant
- Cord Type: 3.2' SJTW 18/3 AWG cable
- Total lumens: 38000LM Max.
- Color temperature: 3000K/ 4000K/ 5000K/ 5700K
- Color rendering index: CRI ≥ 70
- Beam Angle: 90°x120°

Applications:

- Ideal for general site lighting, alleys, loading docks, doorway, pathway and parking areas.
- Replace existing HID flood lights/ wall packs

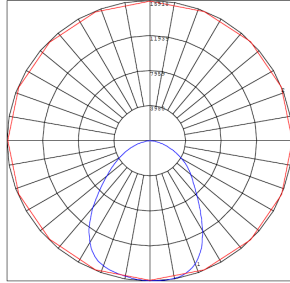
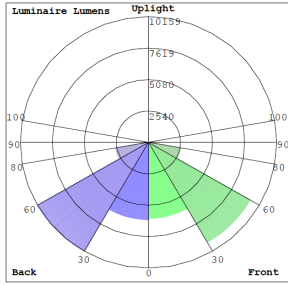
Other Models:

- 150W | 19200LM | LFXPRO-LG-50-150W-MCTP

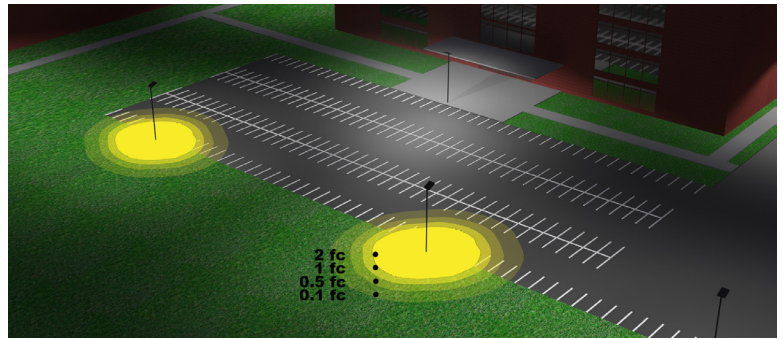


Photometrics: LFXPRO-XL-150-300W-MCTP

TYPE III



BUG Rating: B4-U0-G1



Area 65'x 75' Mounting Height: 20'

Other Views:



Side View



Front View



Back View

Performance Table: LFXPRO-XL-150-300W-MCTP

MODEL NO.	Wattage	Voltage	Lumens	Color Temp.	BUG Rating	LPW
LFXPRO-XL-150-300W-MCTP	150W	120~277V	22400LM	3000K 4000K 5000K 5700K	B4-U0-G1	125
			23000LM			
			23800LM			
	23800LM					
	28200LM					
	29100LM					
	30000LM					
	30000LM					
	32600LM					
	33600LM					
	34650LM					
	34650LM					
	36800LM					
	37500LM					
	38000LM					
38000LM						
300W						



Sample Ordering

Model	Size	Min. Wattage	Max. Wattage	Color Temp.
LFXPRO	XL	150	300W	MCTP

Accessories Options

Blank = No Option For Accessories
 WEC-8RC = Optional Motion Sensor Remote Control

Factory-Installed Options

Blank = No Option For Accessories
 OPT-EM-OD2EXT = Emergency Battery Backup
 OPT-3MPC = Microwave Photocell with a 1/2" threaded
 OPT-SEN-3MR-3 = Programmable Microwave BI-Level Sensor

Example:

- LFXPRO-XL-150-300W-MCTP (For LFXPRO 300W MCTP fixture 120-277V)
- LFXPRO-XL-150-300W-MCTP (For LFXPRO 300W MCTP fixture 120-277V)
 WEC-8RC (Remote Control)

ACCESSORY:



WEC-8RC

FACTORY-INSTALLED OPTION:



OPT-SEN-3MR-3

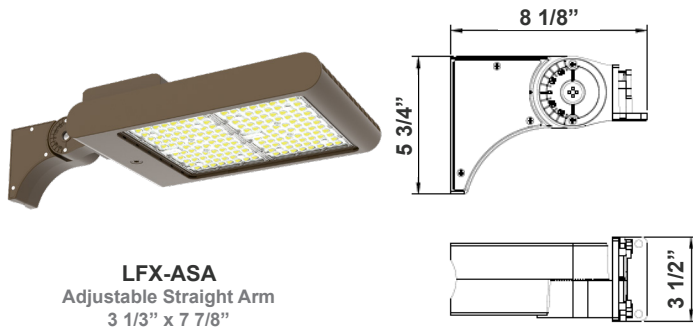


OPT-3MPC

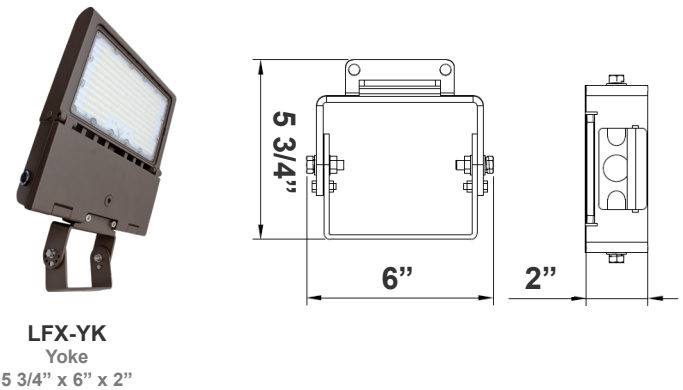


OPT-EM-OD2EXT

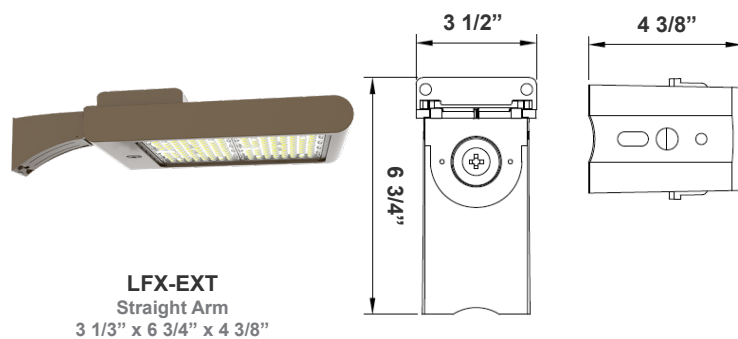
Mounting Options:



LFX-ASA
Adjustable Straight Arm
3 1/3" x 7 7/8"



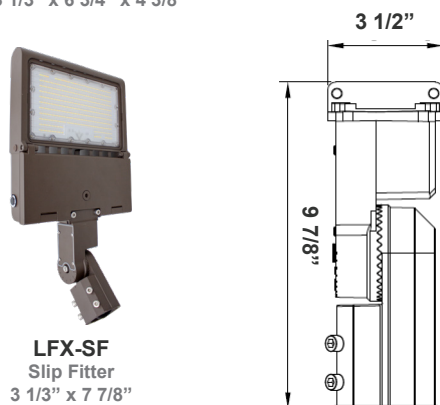
LFX-YK
Yoke
5 3/4" x 6" x 2"



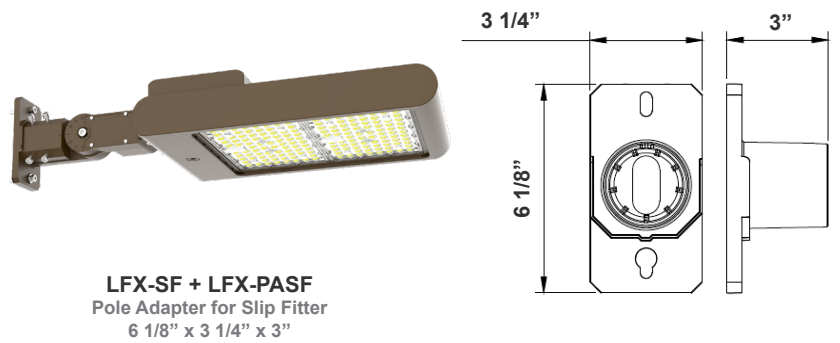
LFX-EXT
Straight Arm
3 1/3" x 6 3/4" x 4 3/8"



LFX-TR-B
U Bracket
13 1/2" x 12"



LFX-SF
Slip Fitter
3 1/3" x 7 7/8"



LFX-SF + LFX-PASF
Pole Adapter for Slip Fitter
6 1/8" x 3 1/4" x 3"



Color Options: LFXPRO-XL-150-300W-MCTP
 Custom Color Available

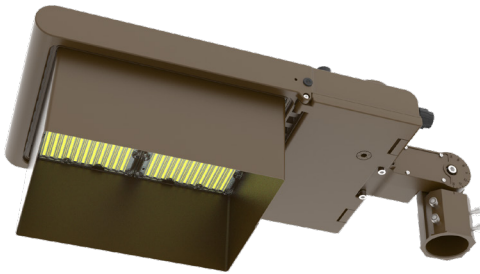
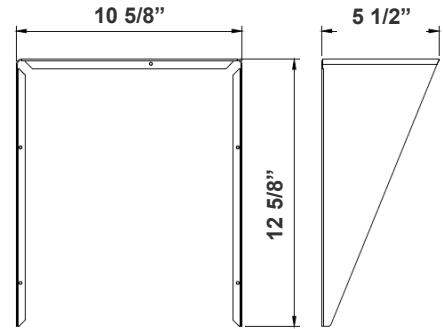
Black Silver White **Dark Bronze** Green Red Yellow
 Default color



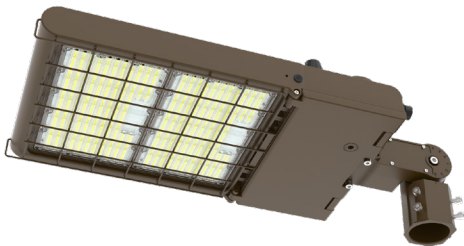
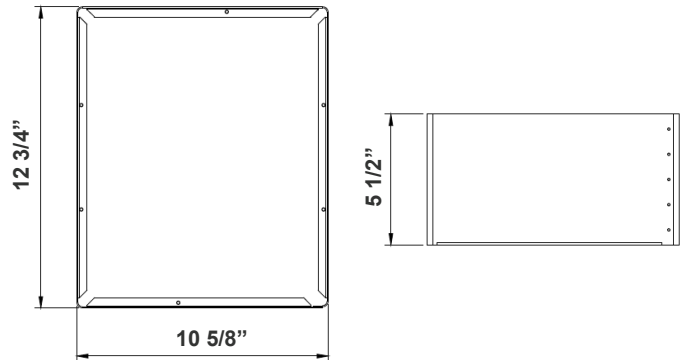
Shroud & Wire Guard:



LF-SHROUD-B
 Shroud
 12 5/8" x 10 5/8" x 5 1/2"



LF-SHROUD-E
 Full-Glare Shroud
 12 3/4" x 10 5/8" x 5 1/2"



LFXPRO-WG-B
 Wire Guard

